

# Shoulder Repair Solution

MetaFix Knotless PK | MetaFix PK |  
Metalock Knotless PK | AutoKnot



Meta Biomed, Surgical Business

270, Osongsaengmyeong 1-ro, Osong-eup, Heungdeok-gu,  
Cheongju-si, Chungcheongbuk-do, 28161 Republic of Korea

Tel: 82-43-230-8846 Fax: 82-43-230-8969

Website: <http://www.meta-biomed.com>

E-mail: [medical@meta-biomed.com](mailto:medical@meta-biomed.com)



Manufacturer  
META BIOMED CO., LTD.

HO-28-0



# Shoulder Repair Solution

*Meta Surgical* is a medical brand of Meta Biomed that was introduced in 2020. The new brand provides medical staff with Surgical Total Solution for improving the quality of life and safety of patients in the fields such as surgery, orthopedics and neurosurgery.

— **MetaBiomed's Value** —

**Diamond  
Quality**

we provide trusted quality

**Gold  
Service**

best customer satisfaction

**Silver  
Price**

competitive and  
reasonable prices



## Contents

### ROTATOR CUFF SOLUTION

MetaFix PK

MetaFix Knotless PK

MetaLock Knotless PK

AutoKnot

### INSTABILITY SOLUTION

AutoKnot



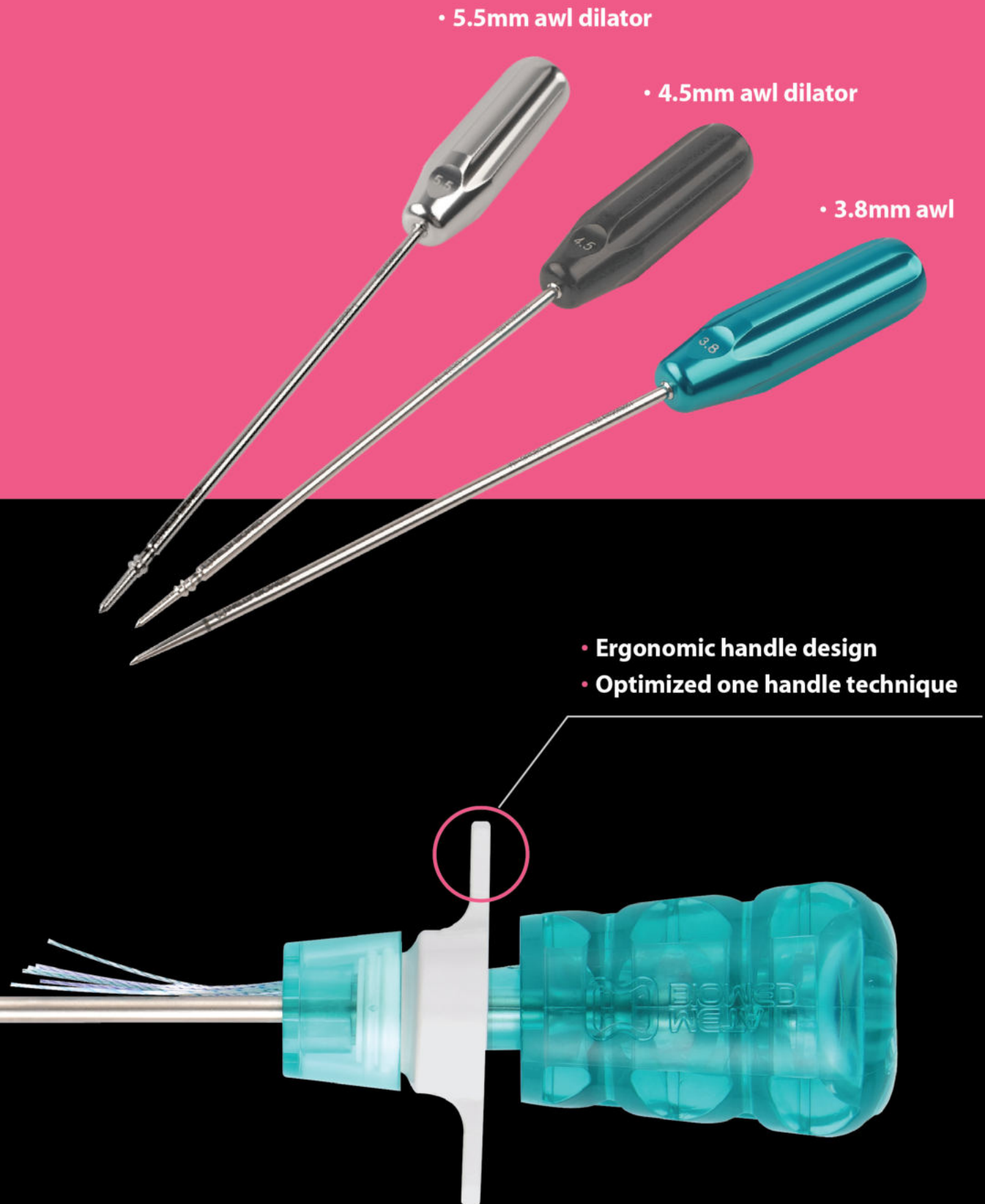
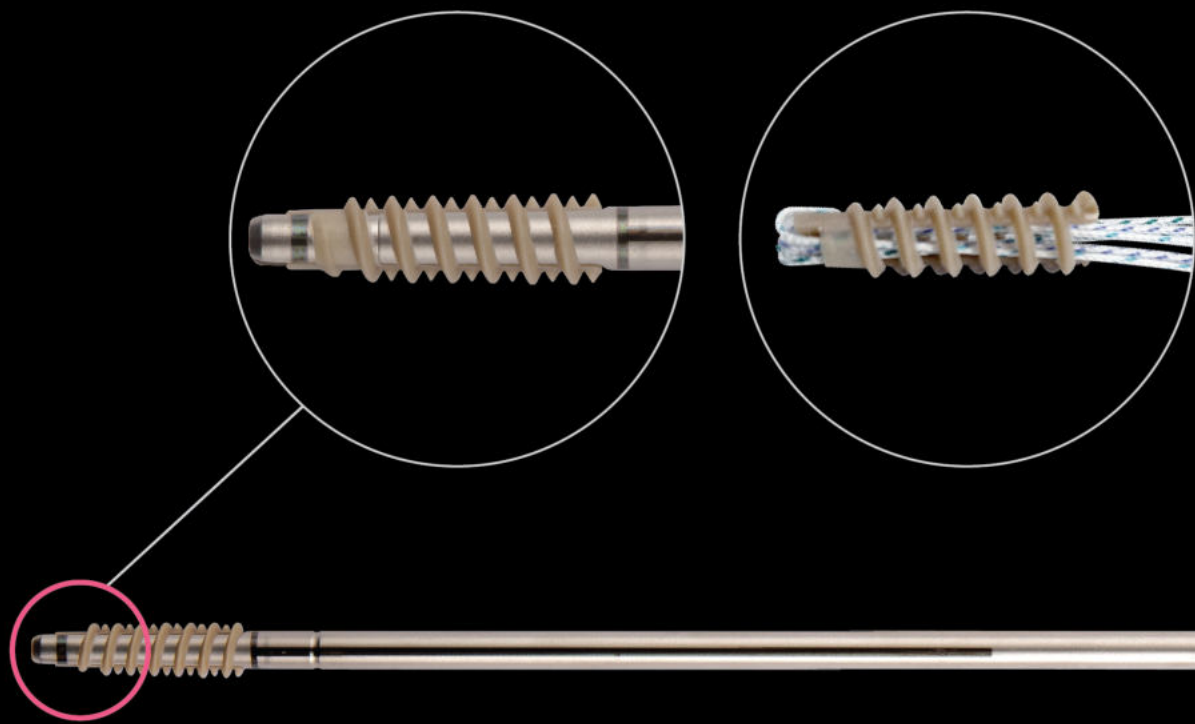
**ROTATOR CUFF SOLUTION**

# MetaFix PK™

## Feature

- Medial row anchor
- Easy to Implantation
- Less bulk, less volume
- Strong torsional strength
- Ideal double threaded design
- Biocompatibility PEEK Material
- Optimized bone-in growth design
- Core-based Ultra-High Molecular Weight Polyethylene(UHMWPE)

PEEK-OPTIMA™ reinforced offers enhanced mechanical and physical properties compared to the base polymer, making it suitable for more demanding load-bearing applications that are currently beyond the capability of PEEK-OPTIMA™ natural.



• 5.5mm awl dilator

• 4.5mm awl dilator

• 3.8mm awl

- Ergonomic handle design
- Optimized one handle technique

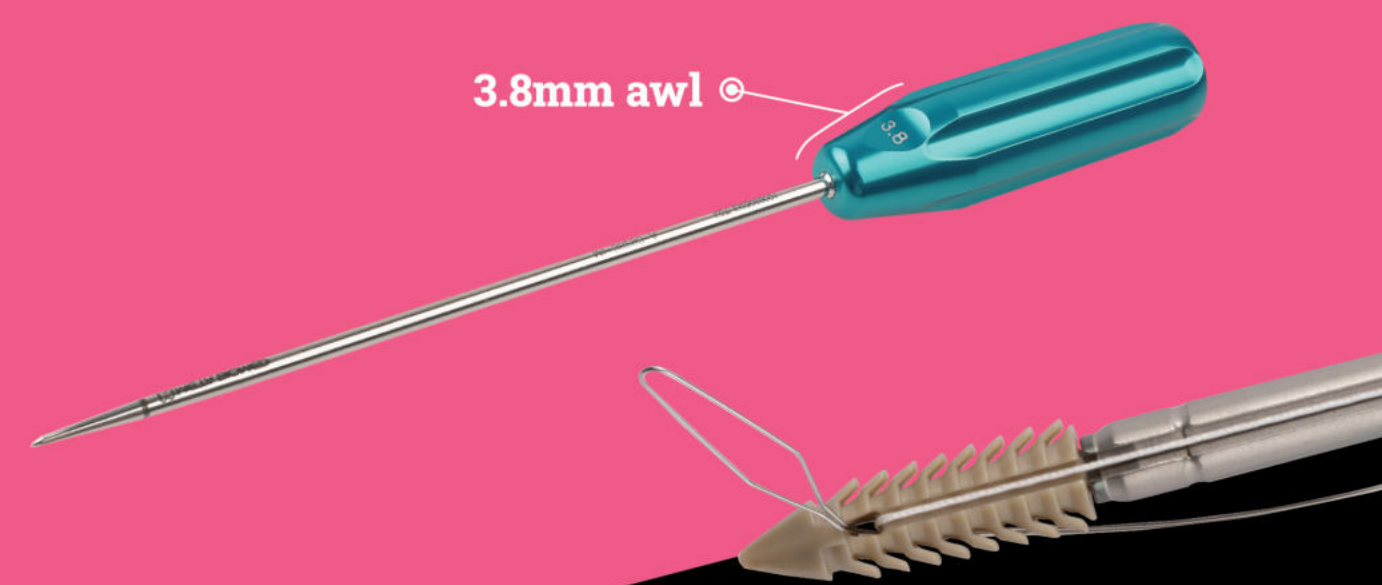
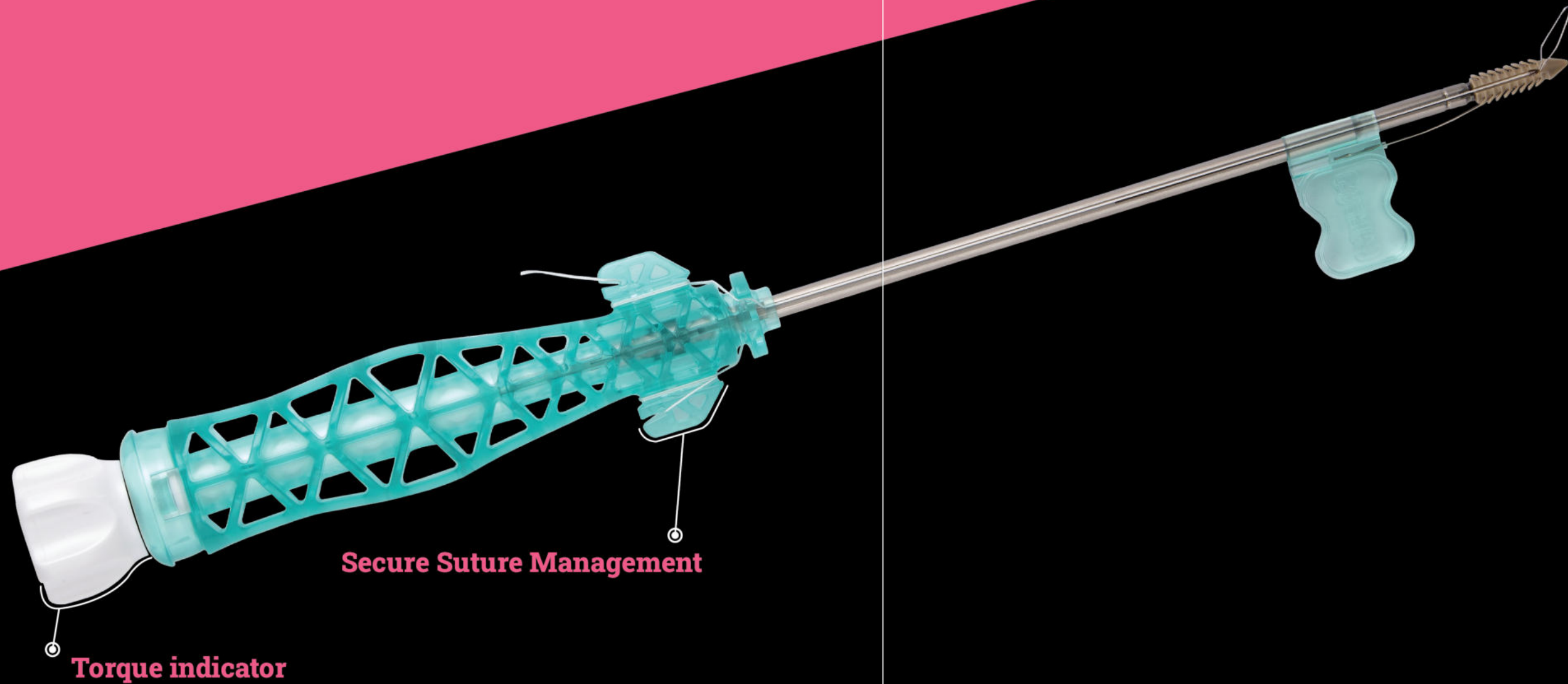
**ROTATOR CUFF SOLUTION**

# MetaFix Knotless PK™

## Feature

- Lateral row anchor
- Tap-in insertion type
- Optimized suture-bridge technique
- Inner screw suture fixation mechanism
- Adjustable anchor suture retention
- Strong bone pullout strength

PEEK-OPTIMA™ reinforced offers enhanced mechanical and physical properties compared to the base polymer, making it suitable for more demanding load-bearing applications that are currently beyond the capability of PEEK-OPTIMA™ natural.





## ROTATOR CUFF SOLUTION

# MetaLock Knotless PK™

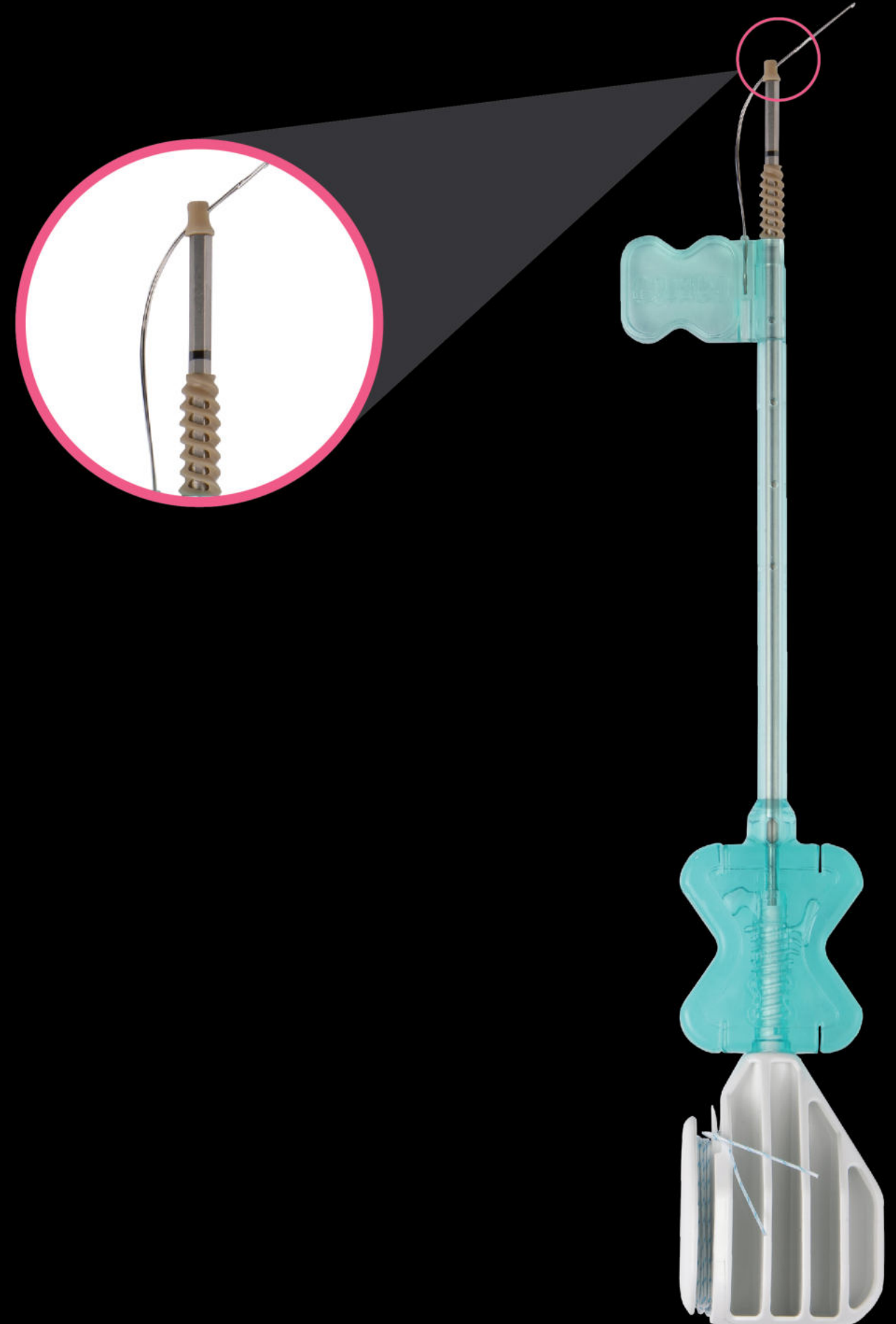
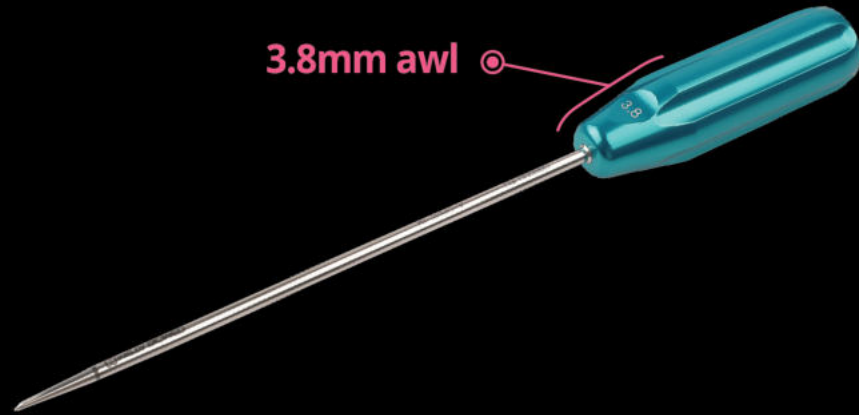
## Feature

- Lateral row anchor
- Tap-in screw insertion type
- Effective bone in-growth
- Easy to Implantation
- Less bulk, less volume
- Optimized suture-bridge technique
- Wide eyelet that pass up to six sutures

PEEK-OPTIMA™ reinforced offers enhanced mechanical and physical properties compared to the base polymer, making it suitable for more demanding load-bearing applications that are currently beyond the capability of PEEK-OPTIMA™ natural.

## Instrument

3.8mm awl



# AutoKnot™

## Quick operation

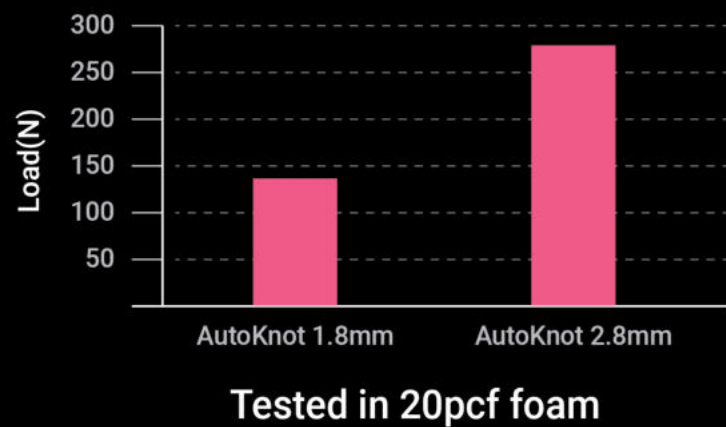
After pressing the trigger through the drill guide, pull the handle in the direction of the arrow.

## Excellent implant performance

The AutoKnot™ All Suture Anchor and Reusable Kit is a great option for soft tissue repair with implant performance superior to commonly used full suture anchors and conventional anchors. Used in combination with a drill guide, anchors can be inserted at precise locations.

## Strong fixation with radial contact (Ball type)

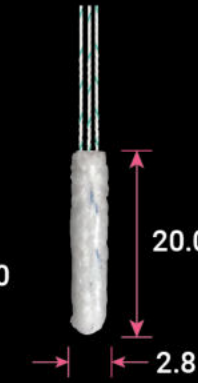
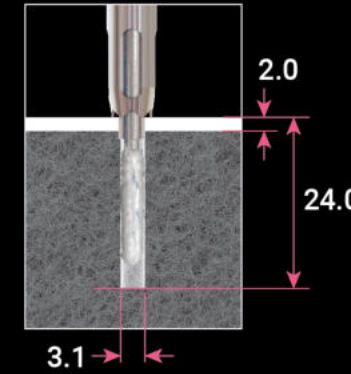
Since the AutoKnot™ all suture anchor is bundled radially within the bone, it expands the contact area with the cortical layer and provides a strong fixation force.



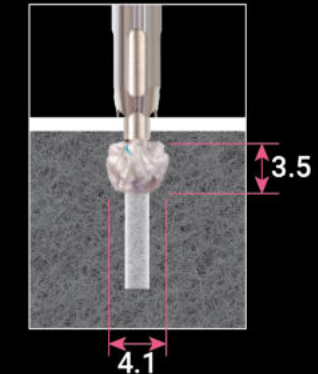
## Anchor information

### — 2.8 Anchor

Non-deployed

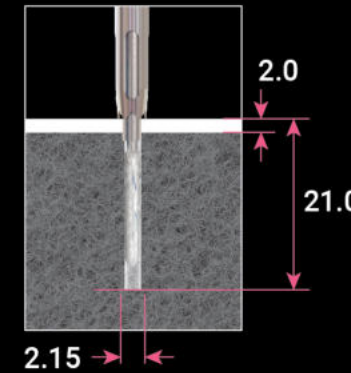


Deployed

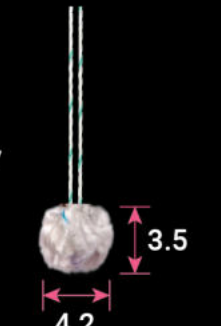
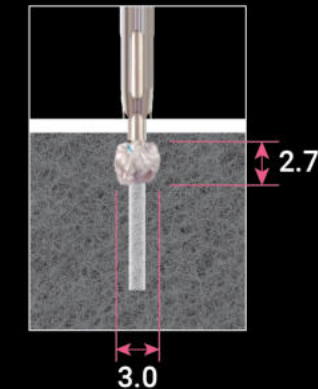


### — 1.8 Anchor

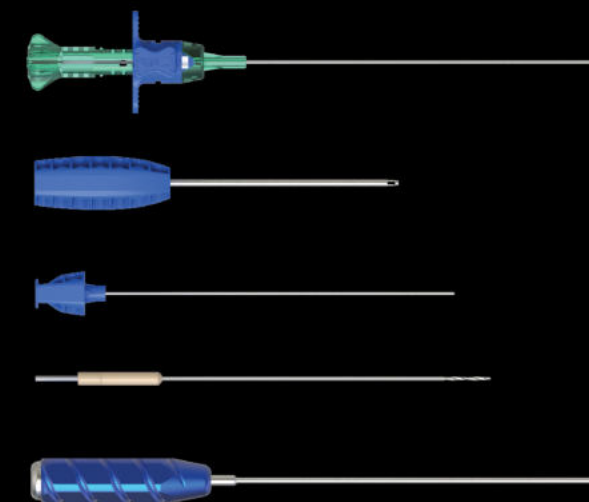
Non-deployed



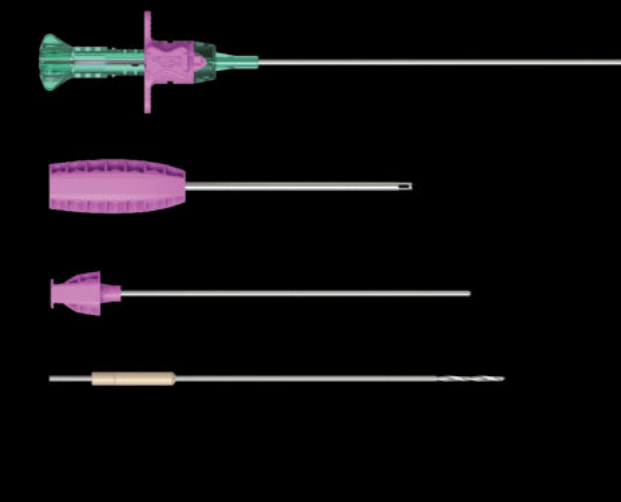
Deployed



### 2.8 Anchor Instrument







### 1.8 Anchor Instrument





Suture anchor for shoulder repair

## Anchor Specification

Product	MetaFix PK	MetaFix Knotless PK	MetaLock Knotless PK	AutoKnot
				
Material	PEEK OPTIMA	PEEK OPTIMA	PEEK OPTIMA	All –suture
Size	4.5mm 5.5mm	4.5mm 5.5mm	4.75mm 5.5mm	1.8mm 2.8mm
Anchor Hole depth	22.5mm	22.5mm	22.5mm	18mm 26mm
Features	- Bone Ingrowth structure - Strong torsional strength	- Adjustable tension of anchor	- Bone Ingrowth structure - Strong torsional strength	- Quick Operation - Make a knot in the mechanical way of the anchor itself
Suture	UHMWPE	UHMWPE	UHMWPE	UHMWPE

## Order Information

### MetaFix PK™

#### — Anchor

Model No	Description
MA-4519-P2E	Φ4.5 x 19.4mm, Black handle, #2 (White&Blue/White&Violet)
MA-4519-P2F	Φ4.5 x 19.4mm, Black handle, #2 (White&Green/White&Violet)
MA-5519-P2E	Φ5.5 x 19.5mm, White handle, #2 (White&Blue/White&Violet)
MA-5519-P2F	Φ5.5 x 19.5mm, White handle, #2 (White&Green/White&Violet)
MA-5519-P3G	Φ5.5 x 19.5mm, White handle, #2 (White&Blue/White&Green/White&Violet)

#### — Instrument

Model No	Description
MI-38293-A	3.8mm awl
MI-45293-T	4.5mm awl dilator (Only MetaFix 4.5mm)
MI-55293-T	5.5mm awl dilator (Only MetaFix 5.5mm)

## MetaFix Knotless PK™

### — Anchor

Model No	Description
MA-4521-P1A	Φ4.5 x 20.4mm, Black handle, #0 (White&Blue)
MA-5521-P1A	Φ5.5 x 21.0mm, White handle, #0 (White&Blue)

### — Instrument

Model No	Description
MI-38293-A	3.8mm awl

## MetaLock Knotless PK™

### — Anchor

Model No	Description
MA-4515-P1C	Φ4.75 x 15mm, Black handle, #2(White&Violet)
MA-5515-P1C	Φ5.5 x 15mm, White handle, #2(White&Violet)

### — Instrument

Model No	Description
MI-38293-A	3.8mm awl

## AutoKnot™

### — Anchor

Model No	Description
MA-1815-A1A	1.8mm Single Loaded, Pink handle, #2(White&Blue)
MA-1815-A1B	1.8mm Single Loaded, Pink handle, #2(White&Green)
MA-1815-A1C	1.8mm Single Loaded, Pink handle, #2(White&Violet)
MA-2820-A2D	2.8mm Double Loaded, Blue handle, #2(White&Blue, White&Green)
MA-2820-A2E	2.8mm Double Loaded, Blue handle, #2(White&Blue, White&Violet)
MA-2820-A2F	2.8mm Double Loaded, Blue handle, #2(White&Green, White&Violet)

### — Instrument

Model No		Description
MI-1800-S	MI-18214-G	1.8mm Drill Guide Reusable
	MI-18246-O	1.8mm Obturator Reusable
	MI-18267-D	1.8mm Twist Drill
MI-2800-S	MI-28213-G	2.8mm Drill Guide Reusable
	MI-28247-O	2.8mm Obturator Reusable
	MI-28267-D	2.8mm Twist Drill
	MI-28353-A	2.8mm Bone Punch